



3/8" STRAIGHT AIR DRILL 18,000 RPM MODEL H6364 INSTRUCTION SHEET

Introduction

For high speed drilling applications, this 3/8" Straight Air Drill delivers a free speed of 18,000 RPM. The in-line design also improves balance and control. Recommended air pressure is 90 PSI and average air consumption is 6 CFM. Includes a 1/4" NPT quick connect fitting and chuck key.

Inventory

- A. Air Drill..... 1
- B. 1/4" NPT Quick Connect Fitting (male)..... 1
- C. Chuck Key..... 1

Lubricating Your New Air Drill

Lubricate your air drill with pneumatic tool oil. If you do not have a lubricator installed in your air line, place one drop of pneumatic tool oil into the air fitting daily, as shown in **Figure 2**.



Figure 1. Model H6364.

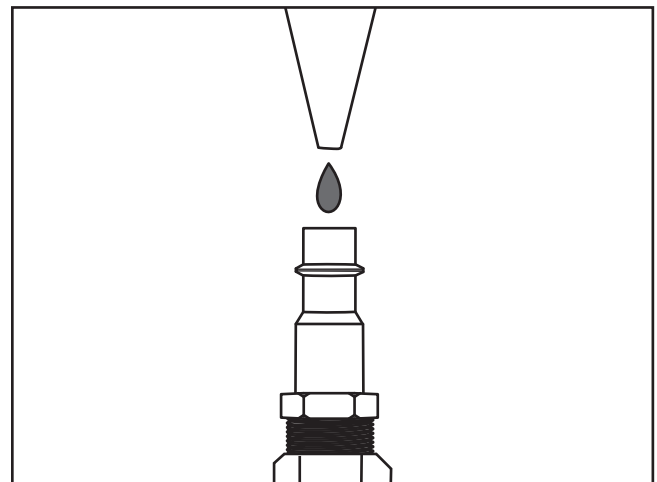
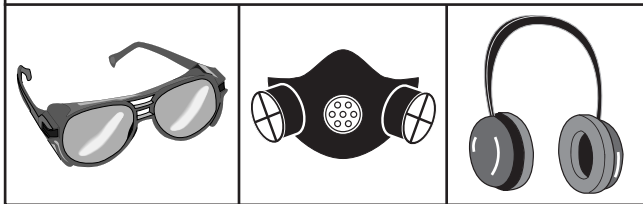


Figure 2. Lubricating the Model H6364.

! WARNING

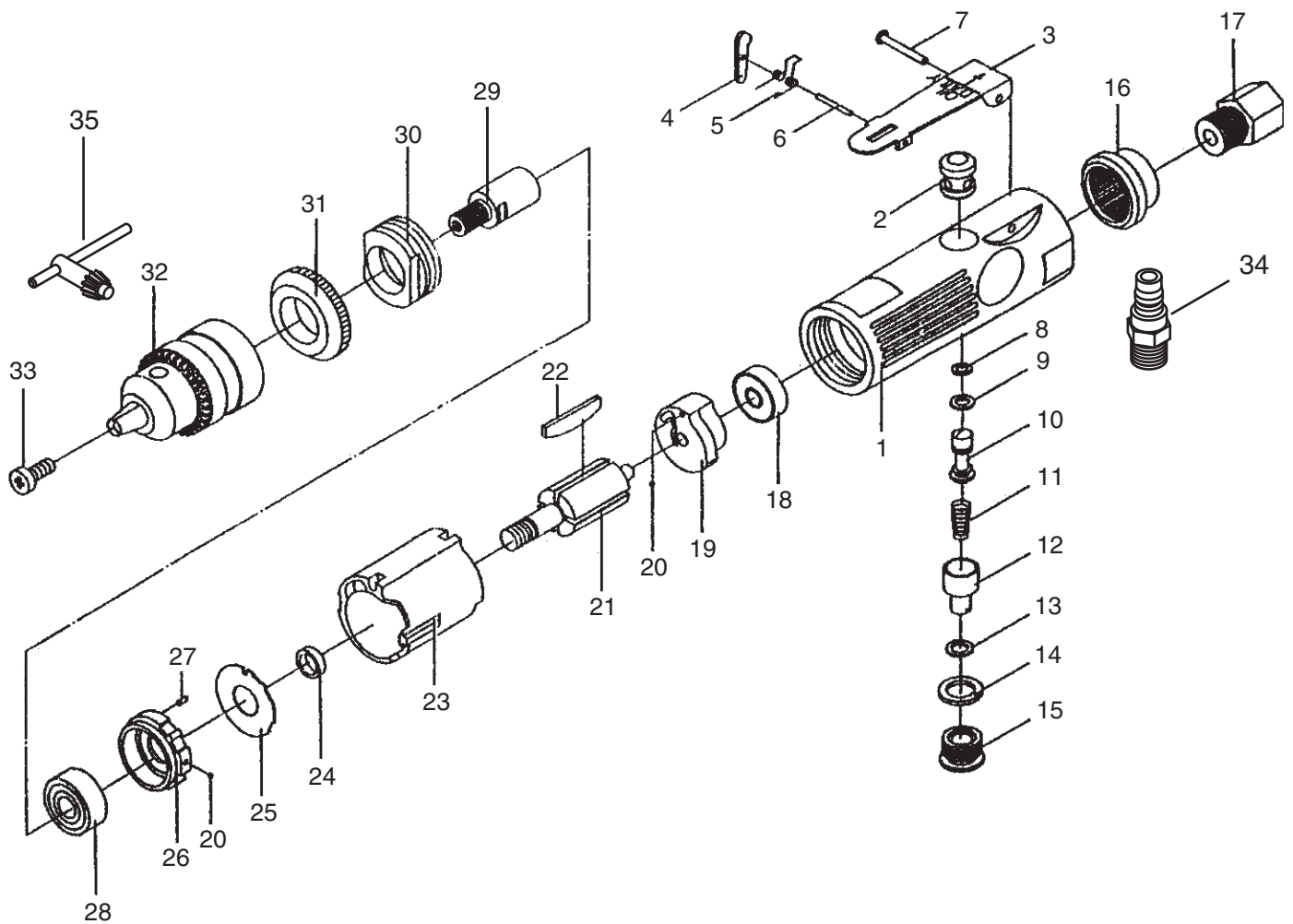
Damage to your eyes, lungs, and ears could result from using this drill without proper protective gear. Always wear safety glasses, a respirator, and hearing protection while drilling.



Need Help?

If you need help with your new air drill, call our service department at: (570) 546-9663.

H6364 Parts Breakdown and List



Ref #	Part #	Description
1	H6364001	HOUSING
2	H6364002	VALVE BUSHING
3	H6364003	TRIGGER
4	H6364004	LEVER
5	H6364005	SPRING
6	H6364006	PIN
7	H6364007	PIN
8	H6364008	O-RING
9	H6364009	O-RING
10	H6364010	VALVE STEM
11	H6364011	SPRING
12	H6364012	AIR REGULATOR
13	H6364013	O-RING
14	H6364014	O-RING
15	H6364015	VALVE PLUG
16	H6364016	MUFFLE COVER
17	H6364017	AIR INLET
18	H6364018	BEARING

Ref #	Part #	Description
19	H6364019	END PLATE
20	H6364020	STEEL
21	H6364021	ROTOR
22	H6364022	ROTOR BLADE
23	H6364023	CYLINDER
24	H6364024	BUSHING
25	H6364025	CYLINDER PLATE
26	H6364026	FRONT PLATE
27	H6364027	PIN
28	H6364028	BEARING
29	H6364029	WORK SPINDLE
30	H6364030	RETAINER
31	H6364031	HOUSING
32	H6364032	CHUCK
33	H6364033	CHUCK SCREW
34	H6362032	1/4" NPT MALE AIR FITTING
35	H6362033	CHUCK KEY